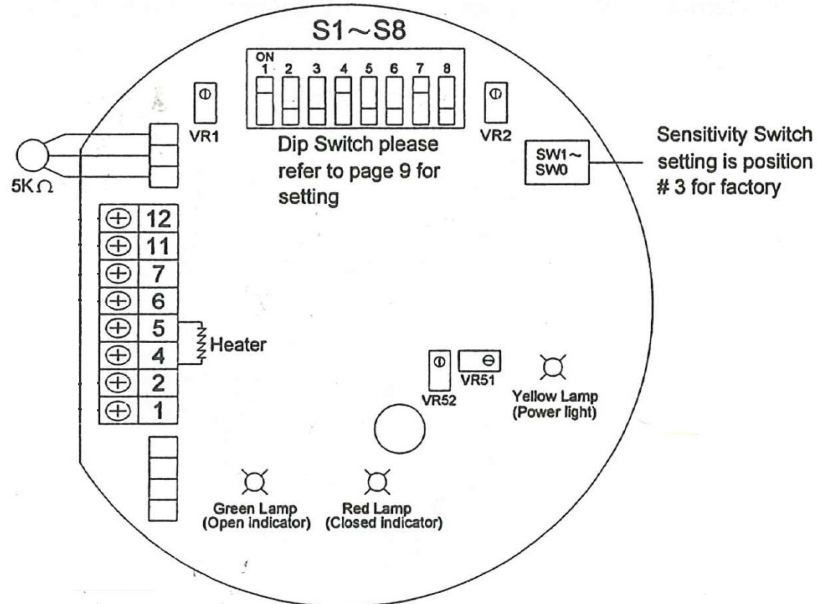


QTS OM 1 & OMA modulating board



The Procedure for Adjusting VR1 & VR2

Calibration of actuator to input control signals:

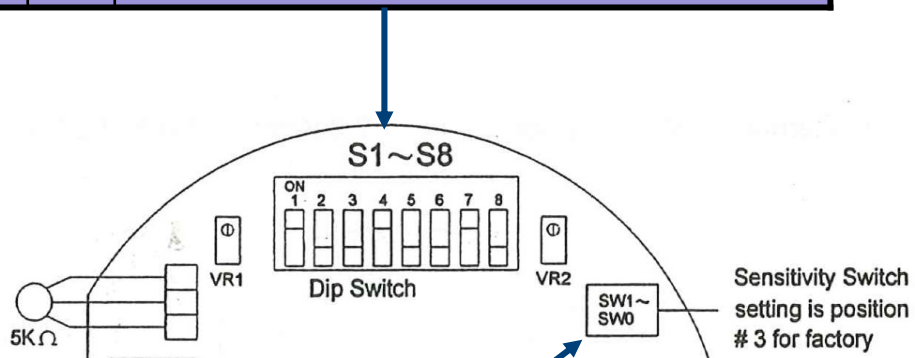
➔ VR2 adjusts 4mA, 2V, 1V (Fully closed).
VR1 adjusts 20mA, 10V, 5V (Fully open).

1. Turn VR2 fully clockwise.
2. Set the device that supplies the input signal(4mA) to “fully closed”.
3. Turn VR2 anticlockwise until the red LED comes on.
4. Turn VR1 fully anticlockwise.
5. Set the device that supplies the input signal (20mA) to “fully open”.
6. Turn VR1 clockwise until the green LED comes on.

QTS OM 1 & OMA modulating board

DIP Switch Setting

8	7	6	5	4	3	2	1	
ON	OFF	OFF	OFF	ON	OFF	OFF	ON	< Factory setting
						OFF	ON	4-20mA input
						OFF	OFF	1-5V input
						ON	OFF	2-10V input
								4-20mA output
								2-10V output
		OFF	20mA / 5V / 10 V means Valve fully open					
		ON	20mA / 5V / 10V means Valve fully closed					
ON	OFF	Close Valve if input signal is disconnected						
OFF	ON	Open Valve if input signal is disconnected						



Sensitivity switch

Factory setting is 3

Lowest setting is 0(9):

Travel can be divided up to around 10 movements

Highest setting:

Travel can be divided up to around 50 movements