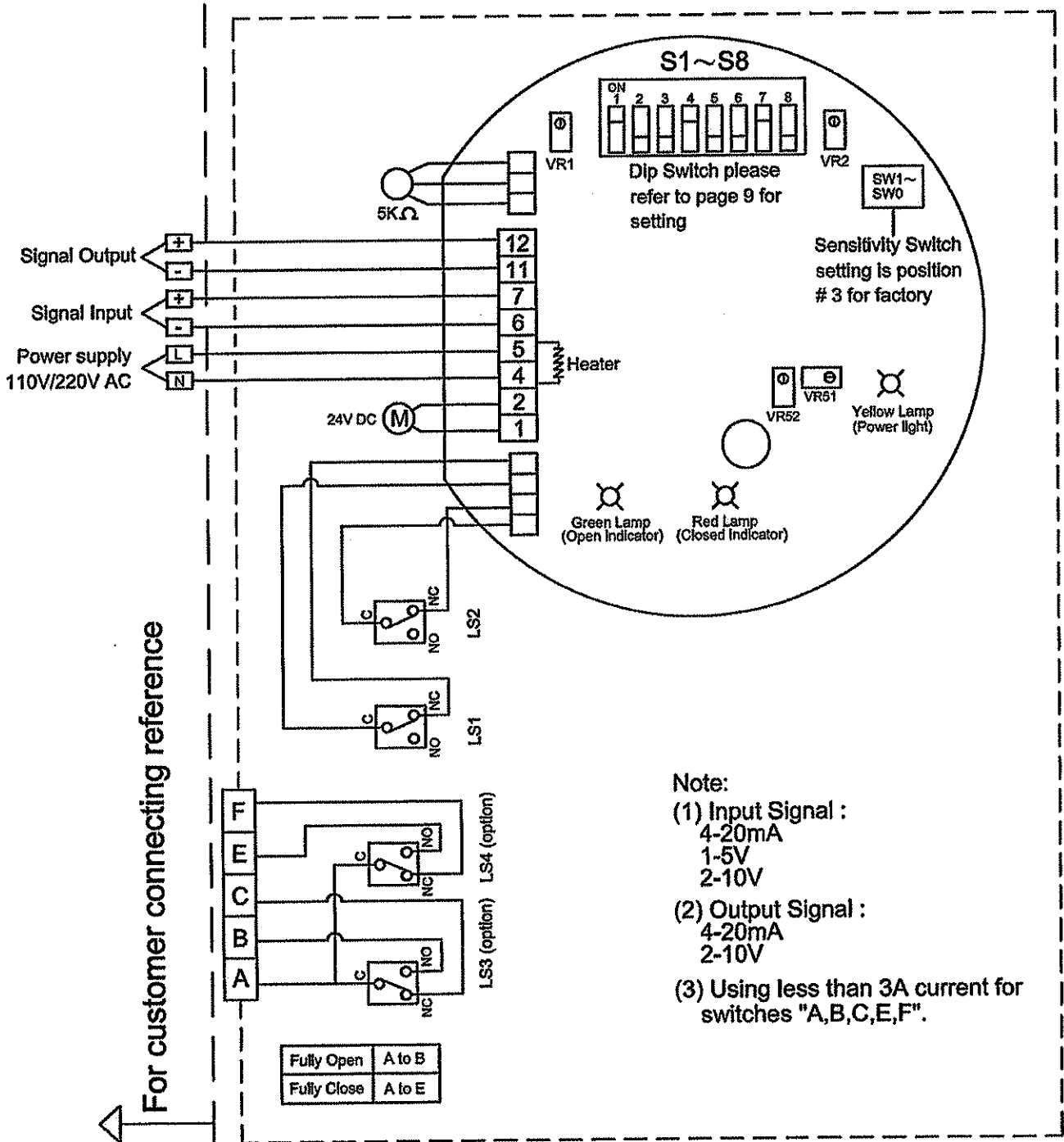
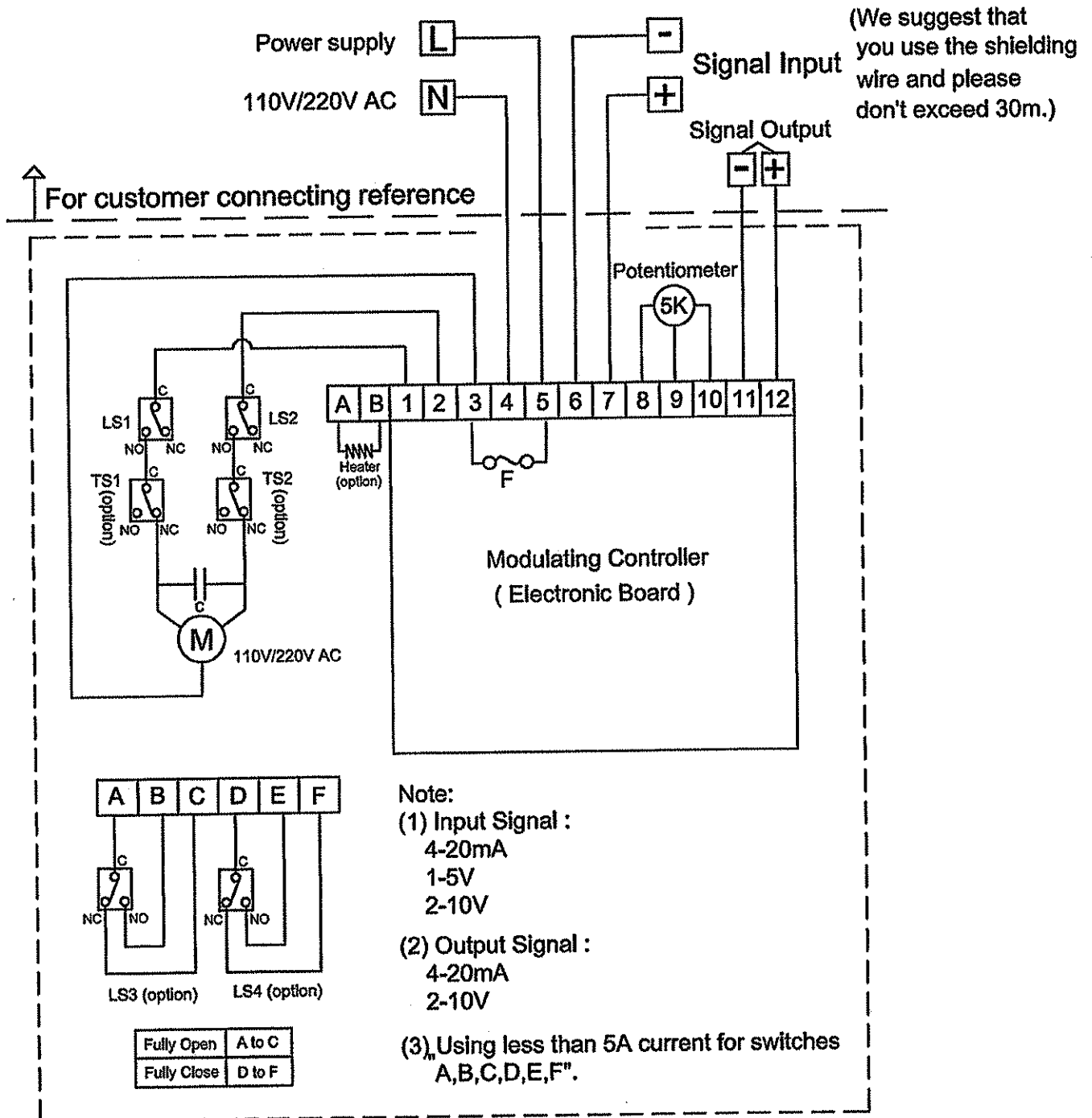


## [ OM-1 & OM-A & OM-A-M 110V/220V AC / Modulating Service ]



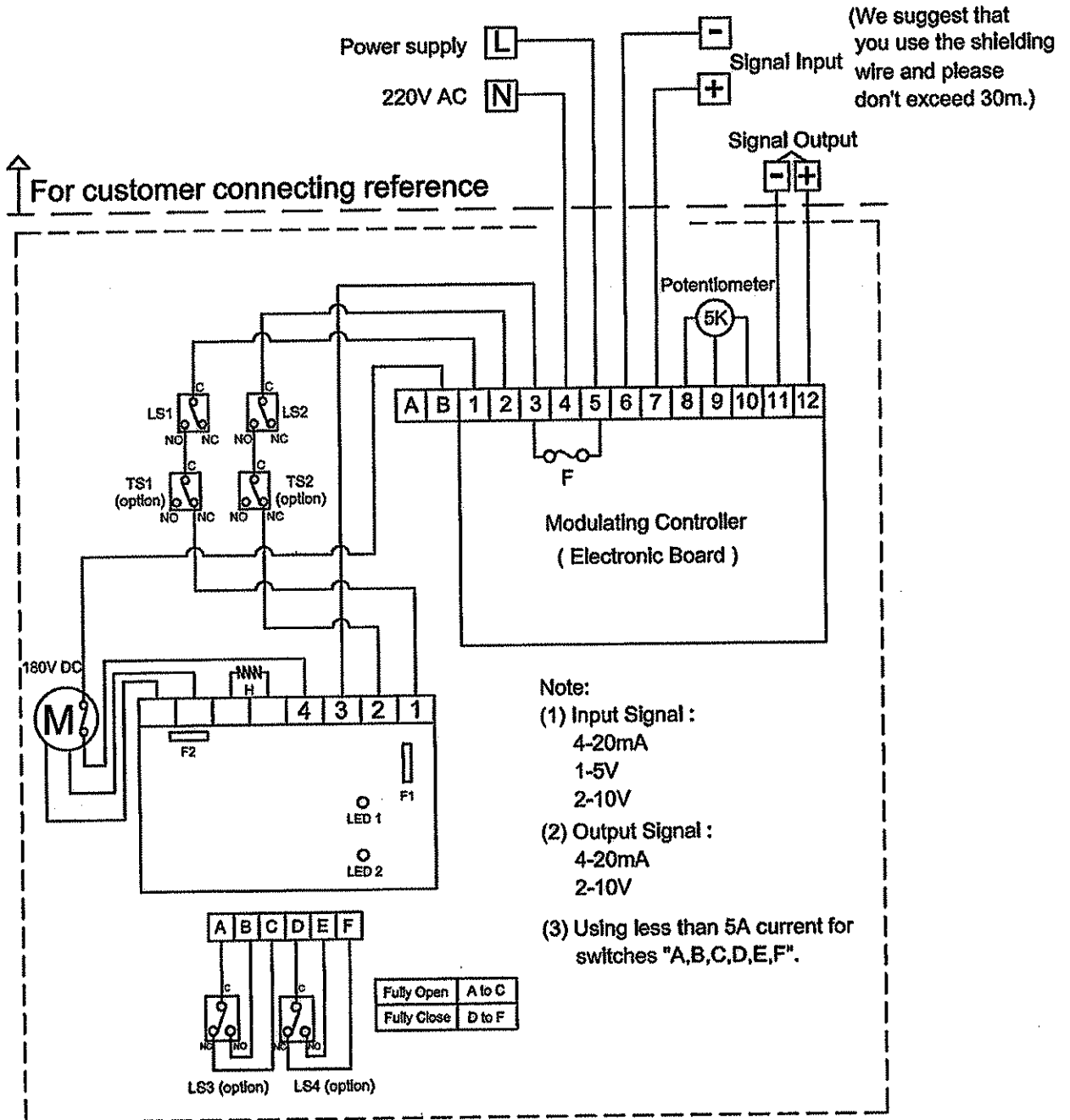
[ OM-2 ~ OM-8 110V/220V AC 1-PH / Modulating Service  
30% Duty Cycle ]



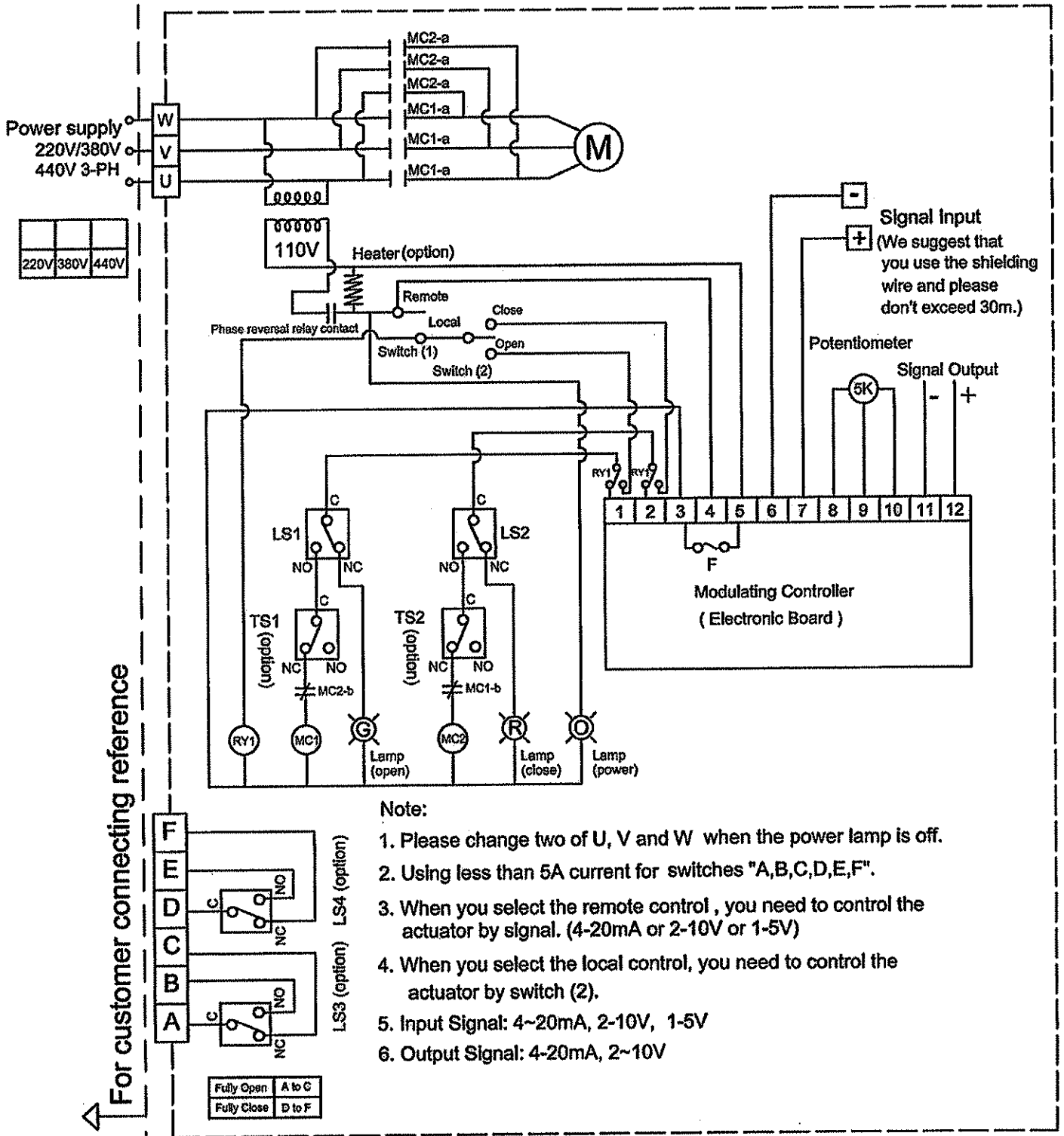




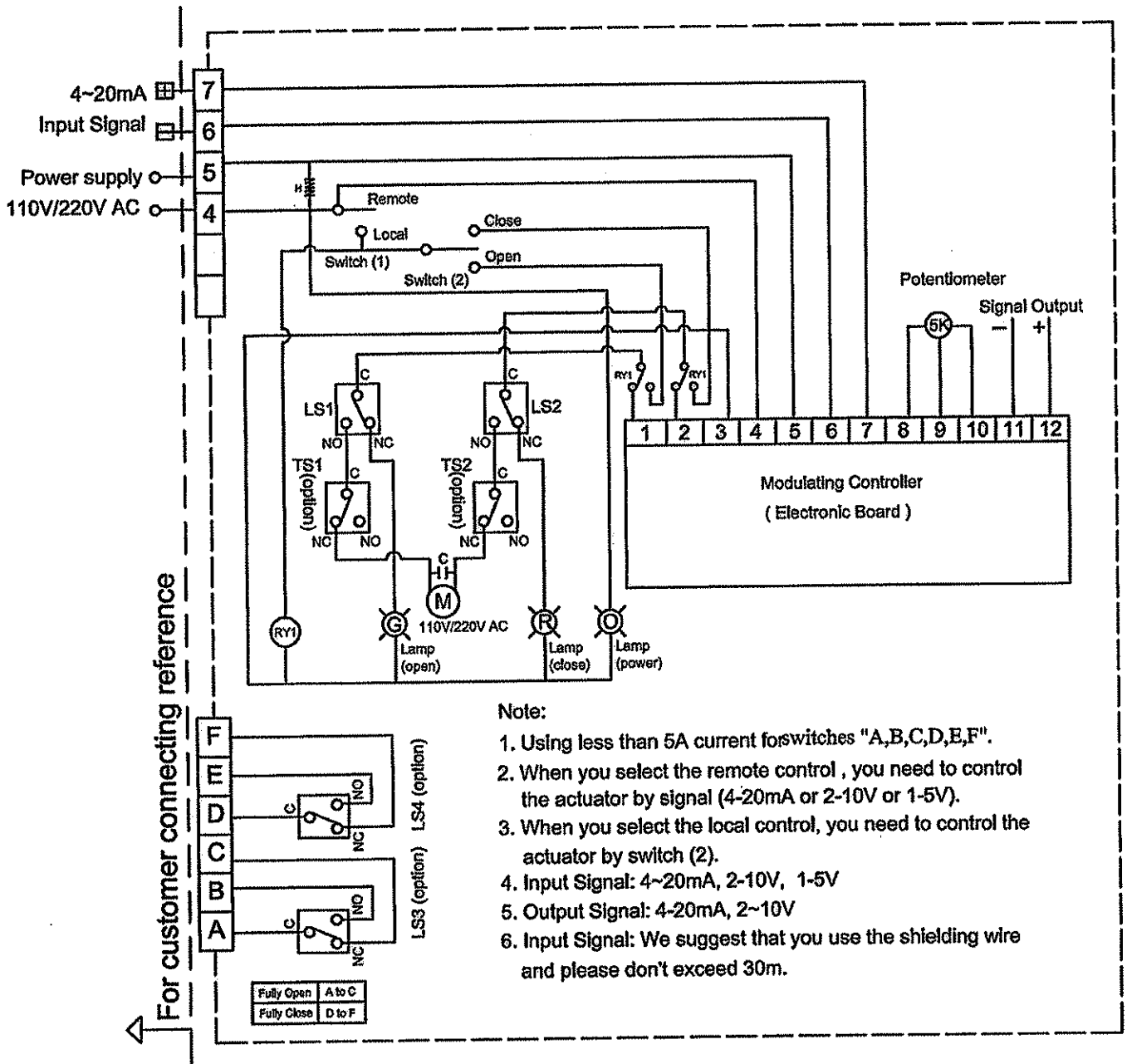
[ OM-9 ~ OM-12 220V AC 1-PH / Modulating Service 50% Duty Cycle ]



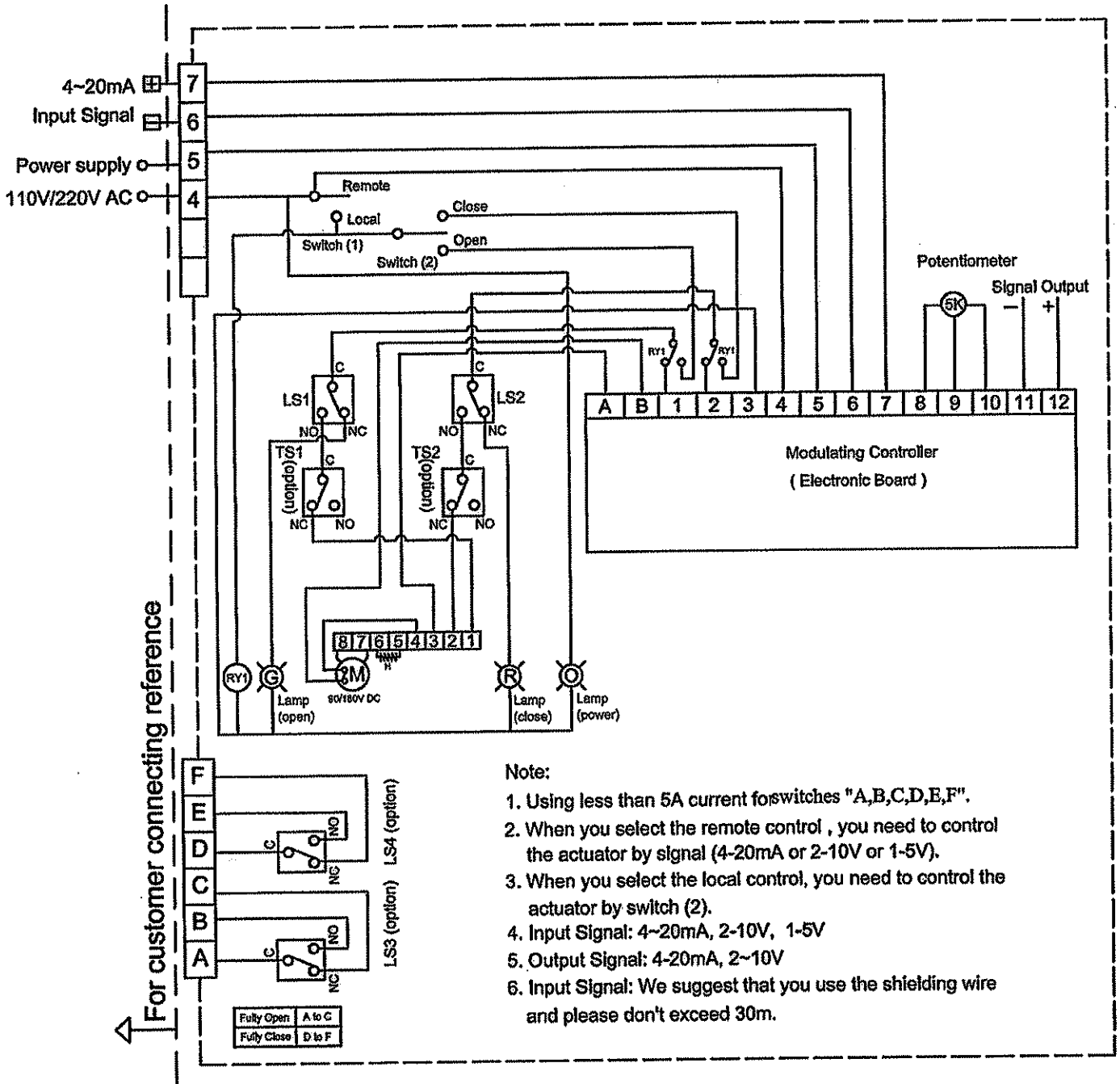
[ OM-2 ~ OM-12 220V/380V/440V 3-PH / Modulating Service ]



[ OM-2~OM-8 110V/220V AC 1-PH / Modulating Service /  
Local/Remote Selection Switch ]



[ OM-2~OM-8 110V/220V AC 1-PH / Modulating Service /  
Local/Remote Selection Switch 75% duty cycle ]

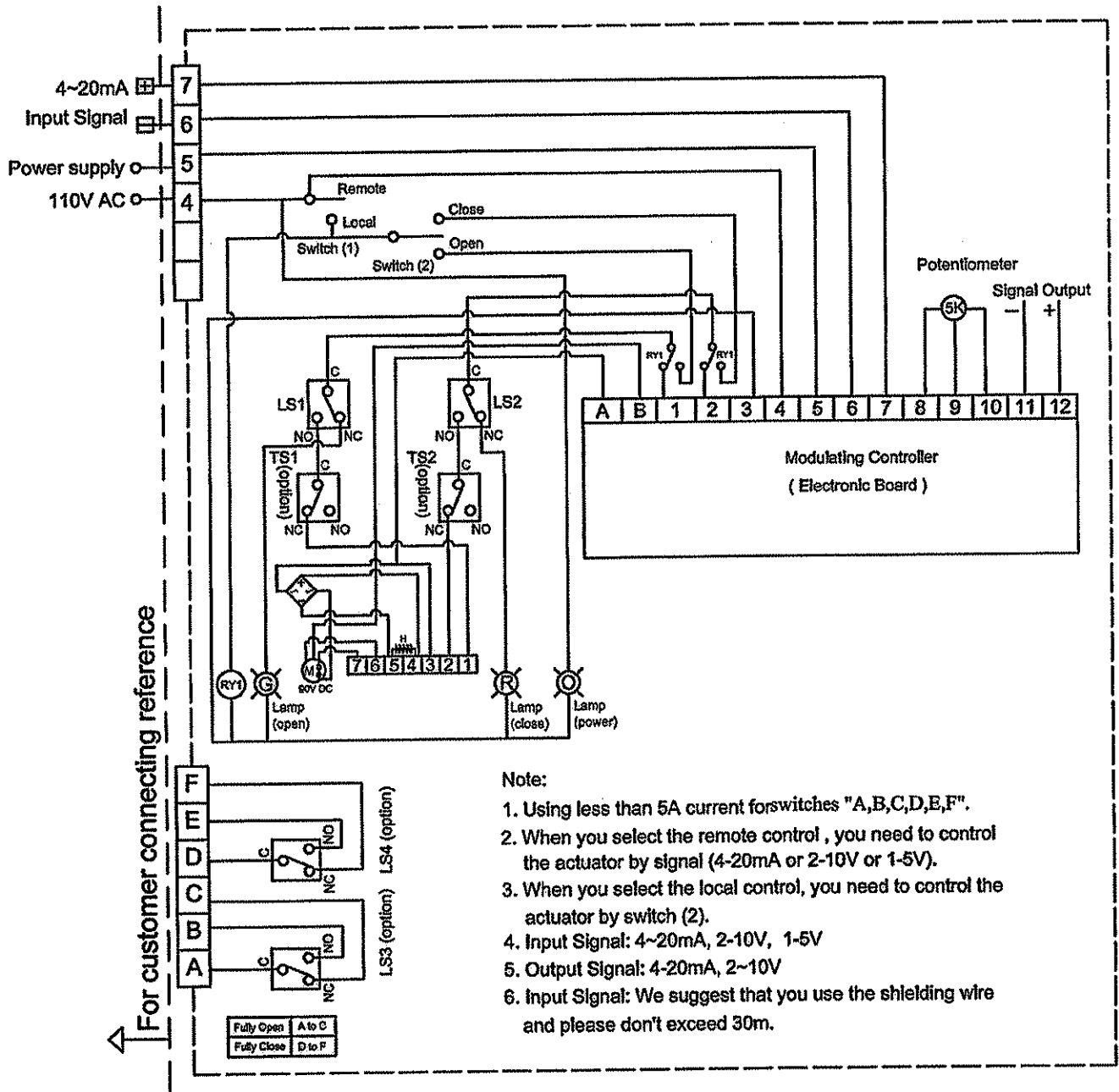


Note:

1. Using less than 5A current for switches "A,B,C,D,E,F".
2. When you select the remote control, you need to control the actuator by signal (4-20mA or 2-10V or 1-5V).
3. When you select the local control, you need to control the actuator by switch (2).
4. Input Signal: 4~20mA, 2-10V, 1-5V
5. Output Signal: 4-20mA, 2~10V
6. Input Signal: We suggest that you use the shielding wire and please don't exceed 30m.



[ OM-9~OM-12 110V AC 1-PH / Modulating Service / Local/Remote Selection Switch ]



[ OM-9~OM-12 220V AC 1-PH / Modulating Service / Local/Remote Selection Switch ]

