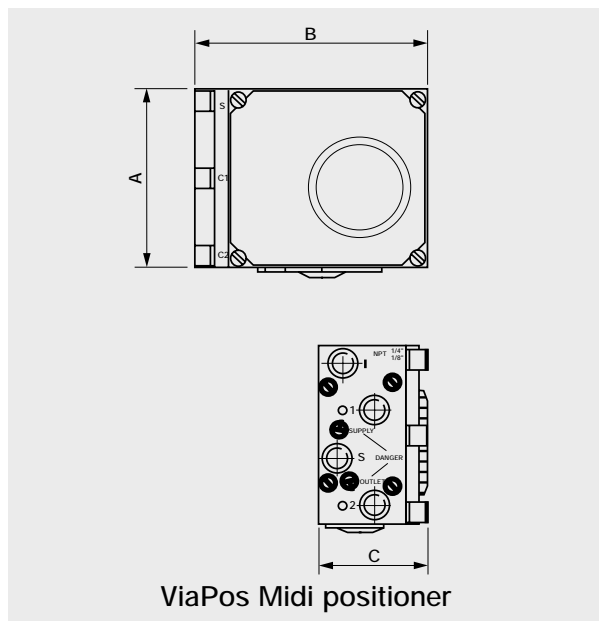
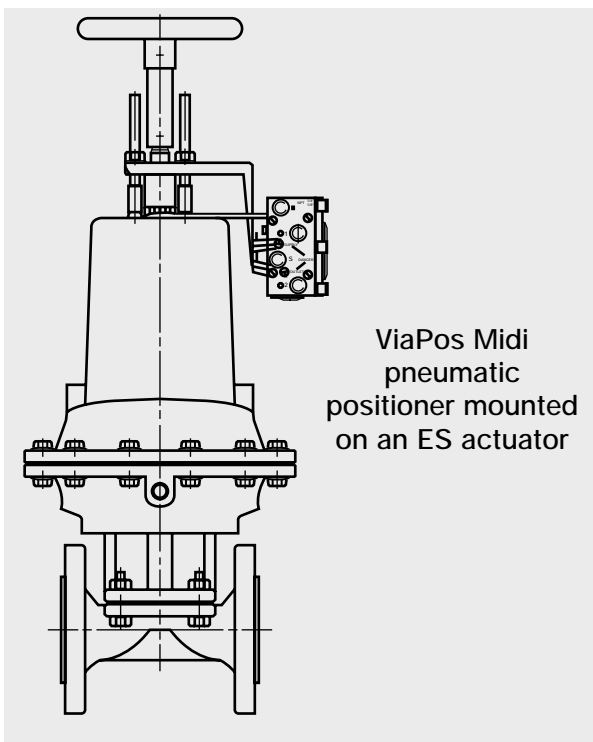


ViaPos Midi Pneumatic Positioner

Actuation & Control



6/ACT/ES11/UK/Rev1

	A	B	C
Length (mm)	100	128	59

Technical Specification			
Suitable for	A and KB type ES actuators (Spring close, spring open and double acting modes.)	Air consumption	324–2142 l/hr depending on supply pressure
Size Range	Type A: DN8–DN250 (double acting DN200) Type KB: DN25–DN200	IP rating	IP66/NEMA 4
Type	Pneumatic	Temperature range	-20°C to +85°C (-4°F to 185°F)
Control Signal	0.2–1 bar (3–15 psi)	Material of construction	Die cast Aluminium with epoxy paint
Air connections	1/4" BSP 1/4" NPT	Add-ons	Gauges/IP converter/ Feedback unit
Gauge connections	1/8" BSP 1/8" NPT	Characterisable cams	Linear/Quick opening/ Equal percentage
Supply Pressure	2–10 bar (29–145 psi)	Weight	1.1kg (2.4lbs)

Crane Process Flow Technologies Ltd
 Grange Road, Cwmbran, Gwent, U.K. NP44 3XX
 Tel: +44 1633 486666
 Fax: +44 1633 486777
 www.craneflow.com



Printed in the UK.

Due to constant product improvements, details shown on this data sheet are subject to change.